

SCHERRER MAGDEBURG

AXEL SCHWERMER & VOLKER BÖHME GbR

Lübecker Str. 53-63 / Haus 8

39124 Magdeburg

Tel. 0391-5051741 - Fax 0391-501241

www.scherrer-magdeburg.de

magdeburg@scherrer-online.de

The logo features a large, stylized white outline of the letters "X" and "T" intertwined. The "X" is formed by two thick, parallel lines that cross in the middle. The "T" is also formed by two thick, parallel lines. The word "Xtreme" is written in a bold, italicized, white sans-serif font, with the "X" being significantly larger than the other letters. The word "TORQUE" is written in a bold, white sans-serif font, with all letters in uppercase. A small "TM" trademark symbol is located to the right of the "X". The entire logo is set against a dark blue background with horizontal light blue streaks.

STRATEGY

LEAD FROM THE FRONT THROUGH INNOVATION

- Upgrade Product Line to Maintain Market Leadership and Establish Value Differential
- Develop Breakthrough Product & Technology to Set New Industry Standards

2024 ULTRA[®] XT PRODUCT LINE STRATEGY

Provide a Breakthrough Airless Spraying Experience End Users Never Thought Possible

- Breakthrough Motor Technology
- Breakthrough Spray Control & Performance
- Breakthrough Advancements In Pump Technology



INTRODUCING THE BREAKTHROUGH GRACO **XTREME TORQUE™** MOTOR

**REVOLUTIONARY DESIGN
DELIVERS**



**PATENTED TECHNOLOGY
SO INNOVATIVE THAT WE
PURCHASED THE COMPANY**



PATENT PENDING



**DESIGNED.
ENGINEERED.
MANUFACTURED.
BY GRACO.**

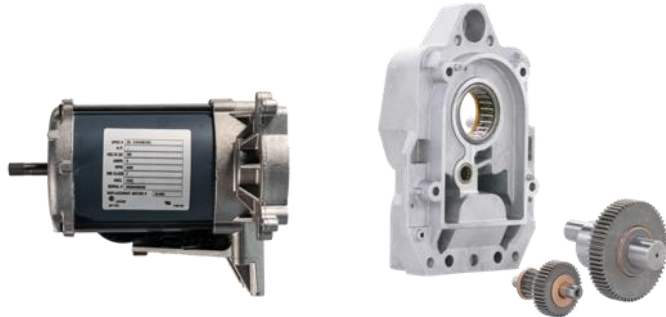


**MADE IN THE USA WITH
GLOBAL COMPONENTS**

ALL MOTORS ARE NOT CREATED EQUAL



MULTIPURPOSE MOTORS



- Requires High RPM, Multistage Gearing For Torque
- Limited Responsiveness Due to High RPM
- Increases Part Count, Noise and Weight

XT MOTORS



- ✓ Achieves Xtreme Torque at Low RPM, No Multistage Gears Needed
- ✓ Low RPM Provides Pinpoint Accuracy for Complete Control
- ✓ Fewer Parts, Quieter Operation, and Lightweight

DID YOU KNOW?

Today's Spray Equipment Uses Same Motors



Treadmills



Furnaces



Washers & Dryers

**ONLY MOTOR IN WORLD
DESIGNED FOR
AIRLESS SPRAY**



INTRODUCING THE BREAKTHROUGH GRACO **XTREME TORQUE™** MOTOR



UNMATCHED PERFORMANCE!

PATENT PENDING

- **15X MORE TORQUE**
THAN TRADITIONAL MOTORS
- **8X MORE MAGNETS** DELIVER RAPID
ACCELERATION AND SMOOTH PERFORMANCE
- MONITORING PRESSURE **60X**
PER MOTOR REVOLUTION
- **90% LOWER** RUNNING SPEEDS
- THE **NEW** SOUND OF QUALITY™



**THE INDUSTRY'S MOST POWERFUL MOTOR.
EXCLUSIVELY FROM GRACO.**



UP TO 10X QUIETER



THE SOUND OF QUALITY™



**EXISTING PLATFORM
UP TO 105db**



**XT PLATFORM
UP TO 70db**

“The Quietness Is The Coolest Thing About It. I Can Finally Hear My Radio And It’s Much Easier to Talk To My Guys.”

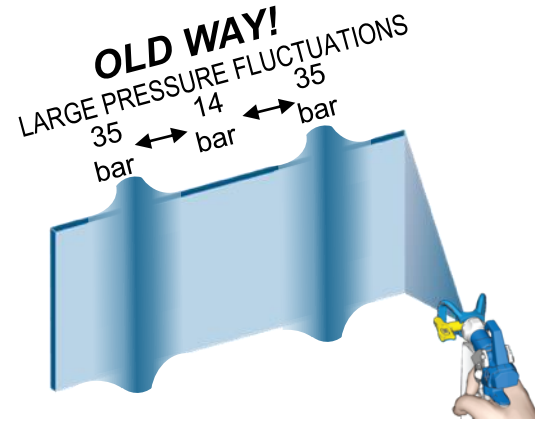
*William Stanley
Owner, First Class Restoration & Sandblasting*

FIRST THING EVERY END USER NOTICES!



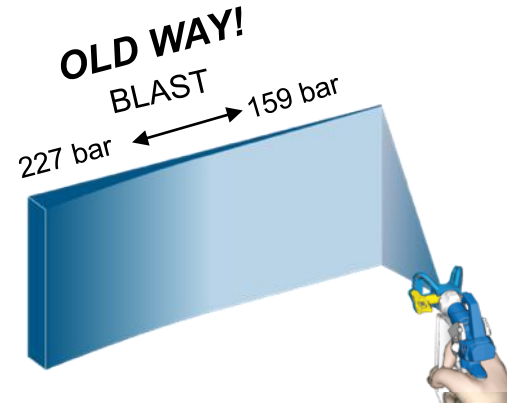
USERS HAVE DIFFICULTY DIALING INTO THE RIGHT PRESSURE

PRESSURE SET **TOO LOW** DELIVERS
LARGE PRESSURE FLUCTUATIONS



OLD WAY!
INCONSISTENT THICKNESS

PRESSURE SET **TOO HIGH** DELIVERS
LARGE MATERIAL BLAST



OLD WAY!
INCONSISTENT THICKNESS

CONTRACTORS ARE **UNAWARE**
OF BEST SETUP PRACTICES



INCORRECT PRESSURE SETTING CAN LEAD TO

- ✗ Potential Cracking When Dry
- ✗ Potential for Poor Finish (Runs)
- ✗ More Overspray and Prep Required
- ✗ Excessive Tip and Pump Wear
- ✗ Inconsistent Sheen
- ✗ Inconsistent Mil Build
- ✗ Requiring Added Steps (Backrolling)

NEXT GENERATION CONTROL & FINISH



RAPID-RESPONSE™ PRESSURE CONTROL

PATENT PENDING

INSTANTLY RESPONDS TO DELIVER THE BEST FINISH QUALITY

- Immediately Adjusts For The Steadiest Pressure While Ensuring Seamless Motor Transitions During Pump Changeovers
- Precision Control Lets You Set Preferred Pressure – Without Having To Re-adjust

DELIVERS MORE PERFORMANCE ACROSS FULL TIP SIZE RANGE

WIDEST PERFORMANCE RANGE IN THE INDUSTRY

- Offers The Largest Operating Pressure (Between 3 - 227 bar) To Ensure Full Control And Maximum Productivity
- Spray More Jobs With Breakthrough Airless Control!
- Flexible For Full Application Range - Coatings, Hose Lengths And Tip Sizes To Meet Every Application



RAPID-RESPONSE™

SEE THE DIFFERENCE!



**WORLD'S
STADIEST
RUNNING
PRESSURE
PERIOD**



PUSH-BUTTON PERFORMANCE



SELECTABLE PERFORMANCE MODES™

PATENT PENDING

BUILT TO DELIVER BEST PERFORMANCE AND FINISH FOR EVERY APPLICATION

- Two Selectable Performance Modes Offer Unique Performance Levels To Boost Efficiency on Every Job
- Helps Novice Painters Deliver A Superior Finish – On Day One!
- Expand Capability And Range Of Applications With A Single Sprayer – Like Having Two Sprayers In One!

EASY TO USE.

EASY TO DEMO.

EASY TO SELL!

*SUPERIOR FINISH WITH
THE PUSH OF A BUTTON*



L

**LOW PRESSURE
PERFORMANCE MODE**

H

**HIGH PRESSURE
PERFORMANCE MODE**

NEXT GENERATION CONTROL & FINISH



LOW PRESSURE PERFORMANCE MODE

PATENT PENDING

USE LP PERFORMANCE MODE ON THE FULL RANGE OF COATINGS



**LOW PRESSURE
PERFORMANCE MODE**

BRING ON SAVINGS WITH XTREME PRECISION & CONTROL 3 - 140 BAR

- Easier Than Ever To Spray At Low Pressure With RAC® X LP SwitchTips
– Reduce Overspray, Maximize Life, and Achieve a Perfect Airless Finish at Half the Pressure!
- Dial With Precision and Achieve The Specific Pressure Required For Your Coating – in 1 bar Increments
- For the first time ever - Running and Stall Pressure are almost equal!
- The Full Control Dial Is Finely Tuned To 3 - 140 bar Range, Making It Simpler To Achieve The Exact Pressure Desired, With Revolutionary Control Down To 3 bar.



NEXT GENERATION CONTROL & FINISH



HIGH PRESSURE PERFORMANCE MODE

PATENT PENDING

IDEAL FOR DIFFICULT TO ATOMIZE MATERIALS, EXTENDED HOSE LENGTHS OR DURING COLD RUNNING CONDITIONS

- Delivers Full Performance – Now With The Most Consistent Pressure - Up To 75% Less Pressure Fluctuations!
- Delivering The Best Finish Quality At Any Pressure Setting
- Achieve The Specific Pressure Required For Coating and Limit Overspray – Easily adjust In 3 bar Increments

XTREME PERFORMANCE WITH HIGH PRESSURE 35 – 227 BAR

- Use This Mode For The Best Finish With Any RAC® SwitchTip
- Rapid-Response System Maintains The Steadiest Running Pressure – Period!
- Stall Pressure Now Equals Running Pressure – No Need To Overshoot!

H

**HIGH PRESSURE
PERFORMANCE MODE**



PROTECT YOUR INVESTMENT!



WATCHDOG™

PATENTED

- Now On ALL XT Electric Sprayers
- Prevents Pump Damage If The Material Supply Is Too Low By Shutting Off The Pump Automatically
- Automatically Prevents Dry Pumping



Engage WatchDog by Holding Performance Mode Button for 3 seconds

TURBOCLEAN™

PATENT PENDING

- Now On ALL XT Electric Sprayers
- Industry's fastest Pump Cleaning System!
- Drives The Motor At Max Speed To Deliver The High Velocity Flow (Up To 83 bar)
- High-Velocity Fluid Flow Cleans The Pump 6x Faster Using ½ The Fluid
- New Convenient Location At Top Of Pressure Control For Easy Use
- Reduces Need For Water And Minimizes Recycling Fees



Engage TurboClean by By Simply Turning the Pressure Control to Maximum





ALL *XT* MODELS COME WITH AN LED DISPLAY

- Bright, Easy-to-Read LED Display
- Transparent Cover Shields Display From Debris and Overspray
- Quickly Identify Performance Mode Setting
 - Easily Adjust Performance Mode With Push Of A Button
 - H = High Pressure Performance Mode
 - L = Low Pressure Performance Mode
- Shows Pressure Readout, Job/Lifetime Liter Counter And Self Diagnostics

LONGEST LIFE BEFORE SERVICE



ENDURANCE™ VORTEX® PISTON PUMPS - MIDSIZE

PATENT PENDING

LONGEST LIFE IN INDUSTRY!

- 3X Longer Than the Closest Competitor
- Exclusive VMAX Blue Packings Made Of Proprietary Material Delivering Extended Life

NEW QUIKACCESS™ INTAKE

- Shorter Foot Valve Delivers Faster Priming And Easier Access To Inlet Ball
- Knock Off Foot Valve Design Delivers Fast Cleaning And Debris Clearing
- Spray Longer with Reversible Inlet Seat

FEATURED ULTRA XT MODELS



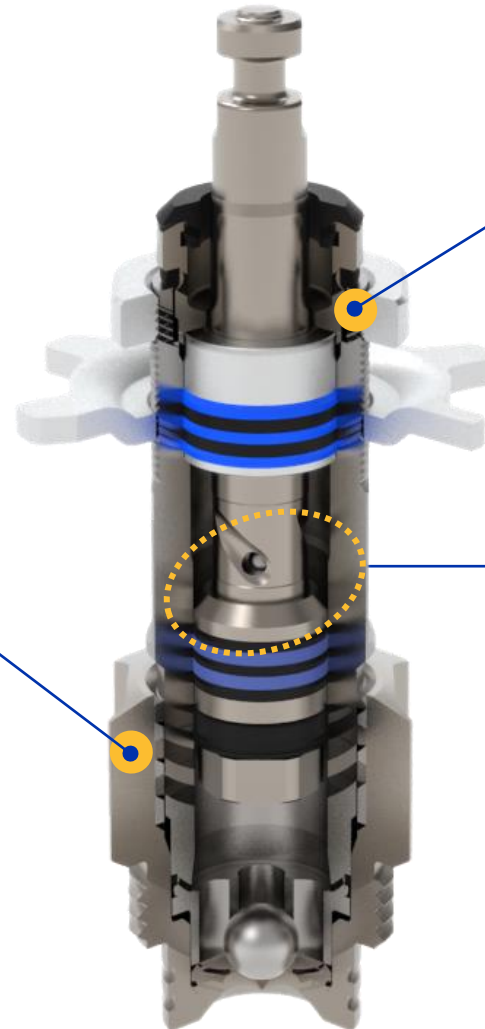
Ultra
490 **XT**



Ultra
495 **XT**



Ultra
650 **XT**



PROCONNECT™ REPLACEMENT SOLUTION

- Fast And Easy On-The-Job Replacement System
- One Part Solution To Keep Spraying

NEW

VORTEX ROTATING ROD TECHNOLOGY

- Automatically Rotates Rod While Pumping Delivering Longest life
- Virtually Eliminates Side Loading

Material Jets
From Rifled
Ports



Piston Rod
Slowly Turns

LONGEST LIFE BEFORE SERVICE



ENDURANCE™ VORTEX® PISTON PUMPS - LARGE

PATENTED

LONGEST LIFE IN INDUSTRY!

- 3X More Liters Pumped Than The Closest Competitor
- Exclusive VMAX Blue Packings Made Of Proprietary Material Delivering Extended Life
- Available In Chromex™, MaxLife® And MaxLife Extreme Technologies

NEW PROCONNECT™ REPLACEMENT SYSTEM

- Proven Design Means Same Removal Process For All Electric Models

QUIKACCESS™ INTAKE

- Fast Cleaning And Debris Clearing
- Spray Longer With Reversible Inlet Seat

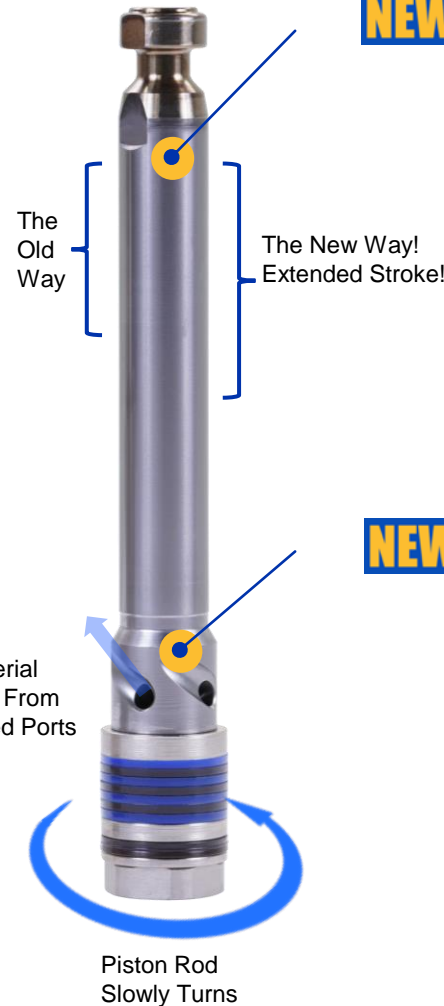
FEATURED MODELS



Ultra
695 - 1095 **XT**



Mark
V - VII **XT**



NEW

MORE PAINT APPLIED PER PISTON STROKE

- Extended Stroke Ensures Maximum Pump Lifespan Before Maintenance
- Larger Stroke Distributes Wear Over Longer Surface – Dramatically Extending Pump Life
- Up To 60 Fewer Pump Strokes Per Liter With 25% Longer Pump Stroke

NEW

VORTEX ROTATING ROD TECHNOLOGY

- Automatically Rotates Rod While Pumping Delivering Longest Life
- Virtually Eliminates Side Loading

LONGEST LIFE BEFORE SERVICE



ENDURANCE™ VORTEX® PISTON PUMPS - LARGE

Competitive



3X MORE
LITERS
BEFORE
REPACK



Endurance Vortex

PATENTED

- Delivers Up To **3X** Longer Than The Competition
- Included On All Standard Series

6X MORE
LITERS
BEFORE
REPACK



Endurance Vortex MaxLife®

PATENTED

- Proprietary Piston And Sleeve Deliver **6X** More Liters Pumped Between Repacks
- Included On All 695/795 ProContractor Series

3X MORE
LITERS BEFORE
PISTON ROD REPLACEMENT



Endurance Vortex MaxLife® Extreme

PATENTED

- Extends Pump Rod Life By **3X** — Delivering The Industry's Lowest Cost Of Ownership
- Included On All 1095/Mark V/Mark VII ProContractor Series

QUICKLY SERVICE ON JOBSITE



PROCONNECT™ PUMP REPLACEMENT SYSTEM

PATENTED

GRACO KEEPS YOU SPRAYING!

- Proven Small Electric Design Means Same Removal Process For All XT Electric Models
- Eliminate Downtime Waiting For Service
- One-Part Design Means No Pins Or Parts To Lose!

PROVEN SMALL ELECTRIC DESIGN
NOW AVAILABLE ON **ALL XT MODELS**



1 Loosen the Clamping Nut



2 Open Door & Remove Pump



3 Remove Hose & Suction Tube



ULTRA™ 490 - 650 XT MIDSIZE ELECTRIC



PATENTED

FEATURES

PATENT PENDING

- NEW** Xtreme Torque™ Motor Technology
- NEW** Rapid-Response™ Pressure Control
- NEW** LED Digital Display
- NEW** Selectable Performance Modes™
- NEW** Quietest Sprayer Ever Built
- NEW** Endurance™ Vortex® Pump With ProConnect™
- NEW** TurboClean™ Cleaning System
- NEW** Watchdog™ Pump Protection
- NEW** Portable, Lighter System
- Easy Out® Pump Filter
- Rugged Durable Frame

MODELS:



Ultra
490 **XT**
.025"
2.6 lpm
Stand, Hi-Boy



Ultra
495 **XT**
.027"
3.0 lpm
Stand, Hi-Boy



Ultra
650 **XT**
.029"
3.4 lpm
Hi-Boy

INCLUDES:

- Contractor™ PC Gun
- RAC X LP517 SwitchTip™
- RAC X Guard
- BlueMax™ II ¼ x 15 m Airless Hose

ULTRA™ LARGE ELECTRIC & MARK XT



STANDARD SERIES FEATURES

PATENTED

- NEW** Xtreme Torque™ Motor Technology
- NEW** Advantage Drive™
- NEW** Rapid-Response™ Pressure Control
- NEW** LED Digital Display
- NEW** Selectable Performance Modes
- NEW** Quietest Sprayer Ever Built
- NEW** Endurance™ Vortex® Pump
- NEW** ProConnect™ Pump Replacement
- NEW** TurboClean™ Cleaning System
- Watchdog™ Pump Protection
- Easy Out® Pump Filter
- Rugged Durable Frame

MODELS:



Ultra
695 **XT**
STANDARD
.031"
4.0 lpm



Ultra
795 **XT**
STANDARD
.033"
4.5 lpm



Ultra
1095 **XT**
STANDARD
.035"
4.9 lpm



Mark
V **XT**
STANDARD
.035" (230V) / .039" (110V)
5.6 lpm



Mark
VII **XT**
STANDARD
.041
6.4 lpm

ULTRA™ LARGE ELECTRIC & MARK XT



PROCONTRACTOR SERIES FEATURES

- NEW** Endurance™ Vortex Maxlife *Models: 695 XT, 795 XT*
- NEW** Endurance Vortex MaxLife Extreme Pump *Models: 1095 XT, Mark V XT, Mark VII XT*
- NEW** QuikReel™ Hose Management System
- NEW** SmartDisplay
 - Contractor PowerShot XT™ Gun Enabled
 - BlueLink™ Jobsite Management System
- NEW** CrushProof Inlet Filter
- NEW** Flat Proof Tires
- NEW** Toolbox

PLUS ALL STANDARD SERIES FEATURES

- NEW** Xtreme Torque™ Motor Technology
- NEW** Advantage Drive™
- NEW** Rapid-Response™ Pressure Control
- NEW** LED Digital Display
- NEW** Selectable Performance Modes™
- NEW** Quietest Sprayer Ever Built
- NEW** ProConnect™ Pump Replacement
- NEW** TurboClean™ Cleaning System
- Watchdog™ Pump Protection
- Easy Out® Pump Filter
- Rugged Durable Frame

MODELS:



Ultra
695 **XT**
PRO CONTRACTOR
.031"
4.0 lpm



Ultra
795 **XT**
PRO CONTRACTOR
.033"
4.5 lpm



Ultra
1095 **XT**
PRO CONTRACTOR
.035"
4.9 lpm



Mark
V **XT**
PRO CONTRACTOR
.035" (230V) / .039" (110V)
5.6 lpm



Mark
VII **XT**
PRO CONTRACTOR
.041"
6.4 lpm

INTRODUCING THE 2024 MIDSIZE ELECTRIC AIRLESS LINEUP



	ST Max II 395 PC Pro		Ultra 490 <i>XT</i>		ST Max II 495 PC Pro		Ultra 495 <i>XT</i>		ST Max II 595 PC Pro	Ultra Max II 650 PC Pro	Ultra 650 <i>XT</i>
Max Tip	.023"		.025"		.025"		.027"		.027"	.029"	.029"
Max Flow (lpm)	2.0		2.6		2.3		3.0		2.6	3.0	3.4
Models Available	Stand	Hi-Boy	Stand	Hi-Boy	Stand	Hi-Boy	Stand	Hi-Boy	Hi-Boy	Hi-Boy	Hi-Boy
LP (€)	4.360	4.610	5.030	5.295	4.745	4.995	5.360	5.750	5.425	5.875	6.230
LP (£)	-	-	-	-	3.985	4.240	4.500	4.880	4.410	5.295	5.615
LP (\$)	5.115	5.370	5.900	6.170	5.500	5.755	6.215	6.650	6.130	6.310	6.690

INTRODUCING THE 2024 LARGE ELECTRIC AIRLESS LINEUP



	Ultra Max II 695	Ultra 695 XT		Ultra Max II 795	Ultra 795 XT		Ultra Max II 1095	Ultra 1095 XT	
Max Tip	.031"	.031"		.033"	.033"		.035"	.035"	
Max Flow (lpm)	3.6	4.0		4.2	4.5		4.5	4.9	
Models Available	Standard	Standard	Pro-Contractor	Standard	Standard	Pro-Contractor	Standard	Standard	Pro-Contractor
LP (€)	7.400	7.845	9.010	7.950	8.425	9.610	8.495	9.005	10.195
LP (£)	5.890	6.245	6.820	6.800	7.210	7.805	-	-	-
LP (\$)	8.545	9.060	10.310	9.104	9.755	11.025	9.870	10.460	11.740

INTRODUCING THE 2024 MARK ELECTRIC AIRLESS LINEUP



	MARK V	MARK V <i>XT</i>		MARK VII	MARK VII <i>XT</i>		MARK X	
Max Tip	.035"	.035"		.041"	.041"		.045"	
Max Flow (lpm)	4.5 (230V) / 5.1 (110V)	5.6 (230V) / 5.6 (110V)		6.0	6.4		8.3	
Models Available	Standard	Standard	Pro-Contractor	Standard	Standard	Pro-Contractor	Standard	Pro-Contractor
LP (€)	10.335	10.955	12.175	11.250	11.925	13.145	12.760	13.910
LP (£)	8.875	9.410	10.560	-	-	-	-	-
LP (\$)	13.250	14.045	15.475	14.755	15.640	17.070	16.260	17.610

THE **XT** DIFFERENCE

PATENT PENDING



Ultra
490 XT – 650 XT



Ultra
695 XT – 1095 XT



Mark
V XT – VII XT

XT EXCLUSIVE BENEFITS:

- ✓ **10X QUIETER**
- ✓ **PUMP WEAR PREVENTION**
- ✓ **NEXT GENERATION SPRAY CONTROL & FINISH QUALITY**
- ✓ **LONGEST LIFE BEFORE SERVICE**
- ✓ **SELECTABLE PERFORMANCE MODES™**
- ✓ **FASTEST SERVICE ON JOBSITE**
- ✓ **FASTEST CLEANING USING LESS WATER**
- ✓ **LOWEST COST OF OWNERSHIP**



CONTRACTOR POWERSHOT™ BREAKTHROUGH

PATENT PENDING

NEW



BACKGROUND

CONTRACTOR® AIRLESS GUNS



CONTRACTOR FTx™



CONTRACTOR®



CONTRACTOR PC™

- Contractors Are Very **PASSIONATE** About “THEIR GUN”
- We Have Proven New Breakthrough Gun Technology **GROWS** Sales
- The Contractor PC™ Airless Gun Launch in 2019 Delivered Just That – **2X OUR AIRLESS GUNS SALES**

LARGE INSTALLED BASE USING TRADITIONAL AIRLESS GUNS

HUGE OPPORTUNITY TO INCREASE AIRLESS GUN & SPRAYER SALES!

BACKGROUND



QUICKSHOT

PATENT PENDING

- The Single Largest New Product Launch In Graco’s History!
- Thousands Of Contractors Have been Vocal About How This Gun Technology Has Been A Game Changer For Their Business – From Residential Repaint To Commercial Contractors
 - Fastest Trigger Speed
 - Virtually Eliminating Spits
 - Lightest Trigger Pull
 - Lightest Weight Airless Gun

CUSTOMERS ARE DEMANDING THE QUICKSHOT GUN ON THEIR LARGER AIRLESS SPRAYERS!



artsfinefinishes 1h

Can we buy the gun by itself? Is it compatible with other spray equipment?



freshlypaintedpa 8w

Release the gun as it's own piece and I'll buy it tomorrow.



STRATEGY

LEAD FROM THE FRONT THROUGH INNOVATION

REVOLUTIONIZE THE AIRLESS SPRAY GUN INDUSTRY BY
INTRODUCING THE FIRST ELECTRIC-POWERED SPRAY GUN
TO IMPROVE FINISH QUALITY, MINIMIZE FATIGUE AND
BOOST CONTRACTOR PROFITABILITY!

FOR EVERY APPLICATION



CONTRACTOR POWERSHOT™ STANDARD



EXCLUSIVE BENEFITS:

- ✓ **SPRAY LONGER WITH LESS FATIGUE**
- ✓ **VIRTUALLY ELIMINATE SPITS**
- ✓ **IMPROVED FINISH QUALITY**
- ✓ **FASTEST SERVICE ON THE JOBSITE**
- ✓ **EASY HOSE MANAGEMENT**



GRACO

**OPERATES WITH EVERY
AIRLESS SPRAYER**

NON-GRACO

ANY VINTAGE



THE ENTIRE POPULATION OF SPRAYERS IN THE MARKET!

NEXT GENERATION RESULTS

REDUCED FATIGUE

PATENT PENDING

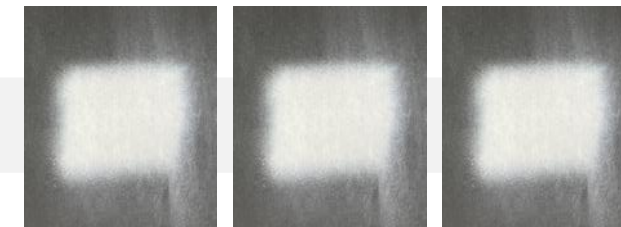
- ✓ Lightest Gun Ever Built! - **30% LIGHTER***
- ✓ Lightest Trigger Pull & Hold Force - **80% LIGHTER***
- ✓ *Reduce user fatigue and spray comfortably all day long*



INSTANT-RESPONSE TRIGGER

PATENT PENDING

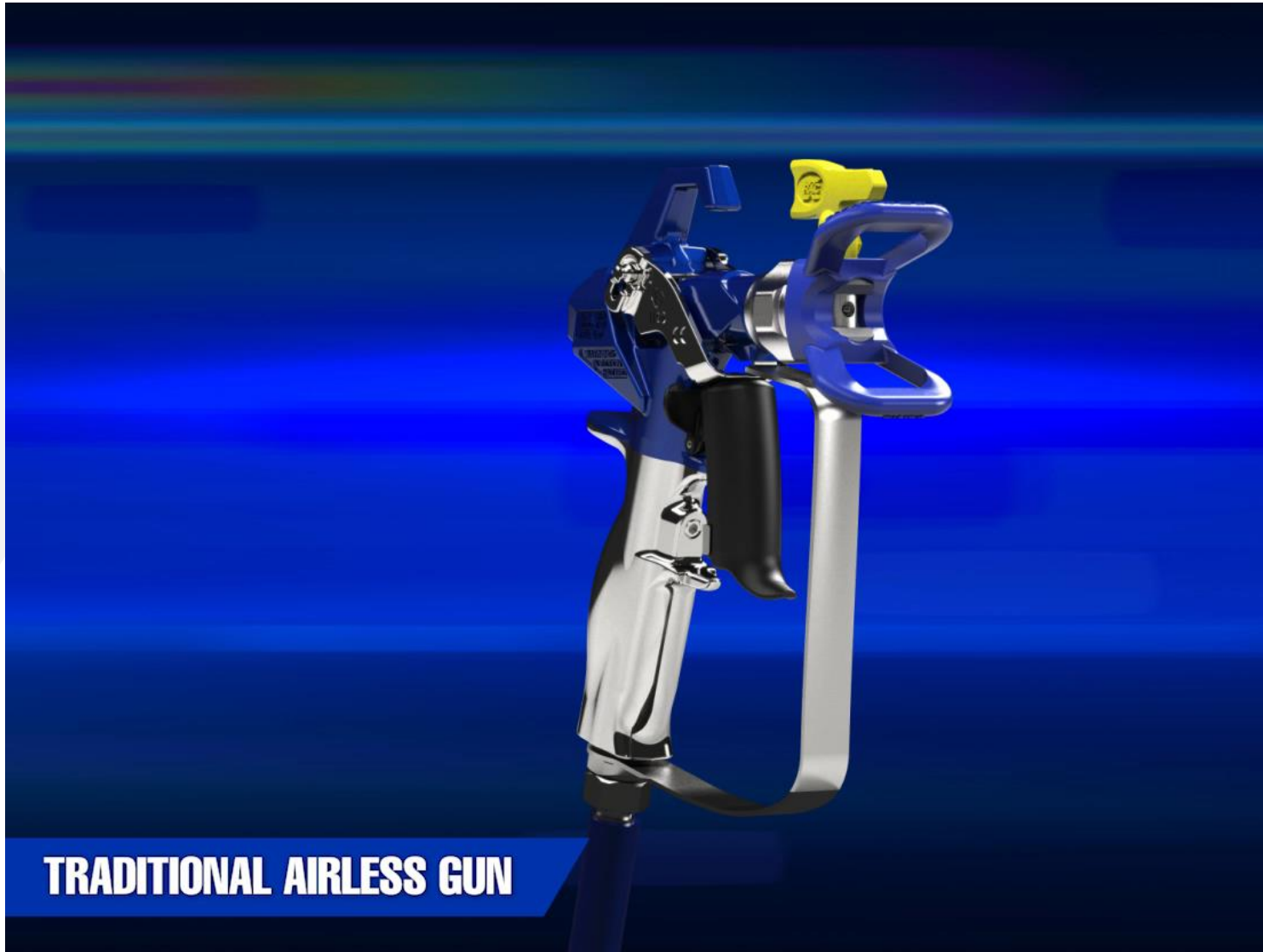
- ✓ Graco exclusive Electric-Powered Trigger Delivers Extremely Fast Needle Speed **OVER 80X FASTER!**
- ✓ Virtually eliminate spits in your spray pattern giving you ***the best possible finish***



**VIRTUALLY ZERO SPIT
START & STOP
ON YOUR SUBSTRATE**

*Compared to Contractor PC Gun – The Best in the industry today!

TRADITIONAL AIRLESS GUN



MECHANICAL TRIGGER

- Trigger speed is fully reliant on the operator
 - Poor technique leads to more frequent and larger spits
- Designed to support to support 0.071" tips
 - Longer needle travel to open and close
 - Takes longer to open & close resulting in spits

ELECTRIC-POWERED AIRLESS GUN



ELECTRIC POWERED GUN

INSTANT RESPONSE TRIGGER

- Removes the human element
 - 80X Faster Trigger speed!
- Designed to support 0.039" spray tips – 5.1 LPM
 - Shorter needle travel to open and close

VIRTUALLY ELIMINATES SPITS!

SUPERIOR POWER & CONVENIENCE



POWERPAK™ SYSTEM

PATENT PENDING

Flexible Gun Whip Hose 1/8 in x 1.8m:

- Provides superior spray control and reduces user fatigue
- Proven QuickShot™ design
- Designed for architectural paint coatings

All new PowerPak system:

- Ergonomic handle to easily carry it around
- One Dewalt 18v 2ah Battery will keep you spraying all day long!
- Delivered with two DeWalt 18v 2ah batteries and a charger

Material Supply Whip Hose & Swivel:

- 1/8 in x 30 cm whip hose delivers easy tangle-free hose management
- Allows contractors to fit in smaller & tighter areas

EasyOut™ Gun Filter:

- Keeps debris out of your pattern for a better finish!
- Same EasyOut Gun Filter as every Contractor Series Gun Filter (Inside out filtration)



READY TO CONNECT TO A "1/4 INCH" HOSE OUT OF THE BOX!

EFFORTLESS HOSE MANAGEMENT

HANDS-FREE PORTABILITY WITH INCLUDED BELT & HOLSTER

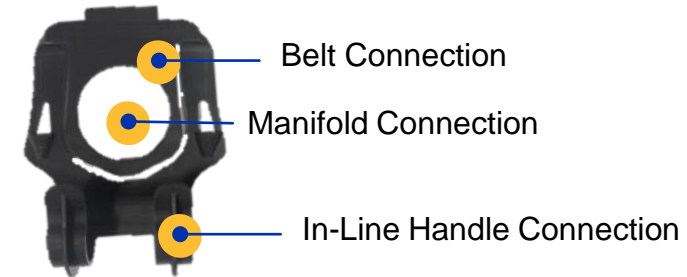
PATENT PENDING

Reduce Hose Management Time & Maximize Your Spray Time

- Quickly & easily attach the PowerPak™ System for hands-free hose management
- Works with any belt and provides unlimited operating configurations
- Belt & holster included with every PowerShot Gun

Easy & Fast Transportation - Never Be Without Holster

- Effortlessly secure the PowerPak™ System to your sprayer using the Manifold Connection, ensuring swift and secure transportation
- We've considered every detail to ensure you never leave your hands-free attachment behind – Fits on every Graco Sprayer Manifold!



**BUILT FOR THE WAY YOU WORK
HOLD IT OR WEAR IT - UNLIMITED
OPERATING CONFIGURATIONS**



BUILT FOR ON-THE JOB FAST REPAIR



SERVICEABILITY CONTRACTORS DEMAND

PATENT PENDING

Maximize Your Spray Time!

- ✓ Exclusive PowerShot ProConnect® Replacement Cartridge
- ✓ Needle & All Wear Parts Included In One Simple Cartridge
- ✓ Replace Cartridge – It's Like Getting A Brand New Gun
- ✓ Swap Cartridges In Seconds On The Jobsite – Wrench Off, Wrench On

Fastest Service On The Jobsite

Reduce Your Down Time!



Every Component Is Replaceable

Kit	Replaceable
PowerShot ProConnect Replacement Cartridge	✓
Solenoid Replaceable	✓
Gun Clamshell Replaceable	✓
Trigger Replaceable	✓
All Hoses Replaceable	✓

COMPARISON



Description	Contractor PC™	Contractor PowerShot™ Standard
In-Hand Weight	561 g	407 g
Trigger Pull Force	3.2 kg	0.68 kg
Trigger Pull & Release	Mechanical	Electric-Powered
Finish Quality	Traditional	Virtually Eliminates Spits
PowerPak™ System	No	Yes
Trigger Options	Adjustable	2 Finger
Compatible Airless Sprayers	Every Airless Sprayer	Every Airless Sprayer
Repair Time	ProConnect® Cartridge Replace In Less Than 1 Minute	ProConnect® Cartridge Replace In Less Than 1 Minute
Country of Manufacture	Made in USA	Made in USA With DEWALT Batteries

30% LIGHTER

80% LIGHTER

80X FASTER



**THE INDUSTRY'S LEADING
AIRLESS GUN TODAY!**

CONTRACTOR POWERSHOT™ STANDARD



NEW



227  Max Pressure
.039  Tip Support

FEATURES:

- ✓ Ultra Lightweight With An Effortless Trigger Pull
- ✓ Instant-Response Trigger
- ✓ PowerPak™ System
- ✓ Hands-Free Belt & Holster
- ✓ ProConnect® Replacement Cartridge
- ✓ Powered By Dewalt®
- ✓ RAC X™ LP SwitchTip & Guard

OPERATES WITH ANY AIRLESS SPRAYER!

HUGE INSTALLED CUSTOMER BASE!



TARGET & RECYCLE EVERY CONTRACTOR THAT SPRAYS PAINT!





WE DID NOT STOP THERE!

- **XT Sprayers deliver another level of breakthrough performance to the painting industry**
- **Connect to your XT Sprayer to deliver Next Generation Performance!**

CONTRACTOR POWERSHOT XT™



EXCLUSIVE BENEFITS:

- ✓ **DIRECT GUN-TO-SPRAYER COMMUNICATION FOR NEXT GENERATION PERFORMANCE**
- ✓ **REMOTELY ADJUST PRESSURE FROM THE GUN**
- ✓ **ELIMINATE PRESSURE SURGE & GUN KICKBACK WITH SMARTSTALL**

PLUS ALL STANDARD FEATURES

- Spray Longer With Less Fatigue
- Virtually Eliminate Spits
- Improved Finish Quality
- Fastest Service On Jobsite
- Easy Hose Management



**UNLOCK ALL POWERSHOT FEATURES EXCLUSIVELY
DESIGNED FOR ULTRA XT SPRAYERS**



NEXT GENERATION PERFORMANCE

CONNECTED FROM GUN-TO-SPRAYER

PATENT PENDING

PUSH BUTTON CONNECTION

- RF communication enables instant gun-to-sprayer communication, reaching up to 60 meter, even through walls and obstacles.
- Instant Gun-to-Sprayer Communication delivers Remote Pressure Control and eliminates material blast
- Extremely easy to connect – only 2 easy steps!
- Connect once and never have to connect again with serialized connection



EASY TO CONNECT

1. Select pairing mode on XT sprayer
2. Press + / - on the PowerPak System



**UP TO 60 METER OF
COMMUNICATION!**



NEXT GENERATION CAPABILITIES

REMOTE PRESSURE ADJUSTMENT

PATENT PENDING

- Easily dial-in to your desired pressure to meet the performance of every job – delivering extreme spray control
- Offers the fastest & easiest way to adjust spray pressure right from where you are spraying - no more walking back to sprayer to adjust pressure adjust pressure right from the ladder or boom lift
- Potentiometer and remote pressure control work seamlessly together – whatever was last adjusted becomes your spray pressure
- Precision pressure adjustments up to 60 meters away - even through walls and other obstructions!

ADJUST PRESSURE WITH THE PUSH OF A BUTTON

PRESSURE ADJUSTMENT INCREMENTS



HP

HIGH PRESSURE PERFORMANCE MODE

3 bar

LP

LOW PRESSURE PERFORMANCE MODE

1 bar



NEXT GENERATION PERFORMANCE

SMARTSTALL™ - SPRAY CONSISTENTLY AT EVEN LOWER PRESSURES!

PATENT PENDING

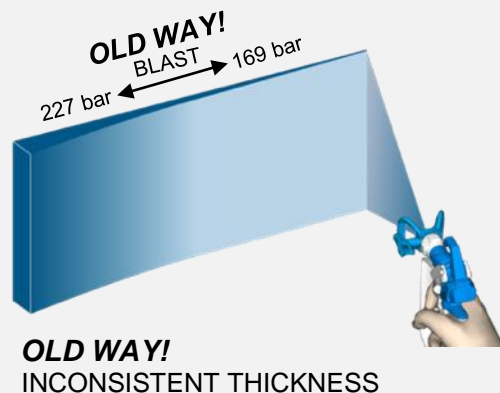
- Traditional Sprayers are not responsive enough - the pump continues to run when the gun is shut off
- This is the reason the stall pressure is much higher than run pressure – the system is too slow to respond.
- Introducing SmartStall - The industry's first system that shuts the pump off when the trigger is released

SmartStall Delivers:

- ✓ The Most Responsive Sprayer Ever Built
- ✓ The Most Consistent Run & Stall Pressure
- ✓ Automatically Eliminates The Material Blast
- ✓ Best Airless Finish Quality
- ✓ Reduced Fatigue
- ✓ Reduced Wear On Every Component In The System

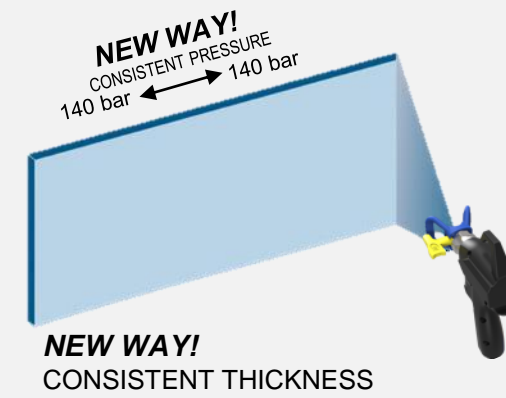


Automatically Makes A Novice Painter Deliver A Superior Finish!



Incorrect Pressure Setting Leads To:

- ✗ Potential Cracking When Dry
- ✗ Potential for Poor Finish (Runs)
- ✗ Excessive Tip and Pump Wear
- ✗ Inconsistent Sheen
- ✗ Inconsistent Mil Build




SMARTDISPLAY XT™



Smart Display Delivers:

- BlueLink
- PowerShot XT Instant Gun To Sprayer Communication



	XT 490–650	XT Standard Series 695, 795, 1095	XT ProContractor Series 695, 795, 1095
Contractor PowerShot XT™	Modular Accessory	Modular Accessory	 Out Of Box Compatibility

CONTRACTOR POWERSHOT *XT*™



NEW



227 Ⓢ Max Pressure
.039 † Tip Support

XT SERIES FEATURES:

- ✓ Ultra Lightweight With An Effortless Trigger Pull
- ✓ Instant-Response Trigger
- ✓ PowerPak™ System
- ✓ Instant Gun-To-Sprayer Communication
- ✓ SmartStall™
- ✓ Remote Pressure Adjustment
- ✓ Hands-Free Belt & Holster
- ✓ ProConnect® Replacement Cartridge
- ✓ Powered By Dewalt®
- ✓ RAC X™ LP SwitchTip & Guard

SELL THE COMPLETE PACKAGE!

**GRACO *XT* SPRAYERS WITH
THE CONTRACTOR POWERSHOT *XT* GUN**



CONTRACTOR POWERSHOT™ FAMILY



CONTRACTOR POWERSHOT™ STANDARD



**OPERATES WITH EVERY
AIRLESS PAINT SPRAYER**

BOTH MODELS INCLUDE:

- ✓ Hands-Free PowerPak System
- ✓ PowerShot Belt and Holster
- ✓ 60 Mesh EasyOut™ Gun Filter
- ✓ (2) DEWALT 18v Compact Lithium-Ion Batteries
- ✓ DEWALT 18v Lithium-Ion Battery Charger
- ✓ RAC X™ LP 517 SwitchTip & Guard

CONTRACTOR POWERSHOT *XT*



**UNLOCK ALL POWERSHOT FEATURES EXCLUSIVELY
DESIGNED FOR ULTRA *XT* SPRAYERS**

COMPARISON



Description	Contractor PowerShot™ Standard	Contractor PowerShot XT
In-Hand Weight	407 g	407 g
Trigger Pull Force	680 g	680 g
Trigger Pull & Release	Electric-Powered	Electric-Powered
Finish Quality	Virtually Eliminates Spits	Virtually Eliminates Spits
Compatible Airless Sprayers	Every Airless Sprayer	Graco XT ™ Sprayers
PowerPak™ System	PowerPak Standard	PowerPak XT ™
Remote Pressure Adjustment	No	Yes
SmartStall	No	Yes
Hands-Free Attachment	Yes	Yes
Repair Time	ProConnect® Cartridge Replace In Less Than 1 Minute	ProConnect® Cartridge Replace In Less Than 1 Minute
Country of Manufacture	Made in USA With DEWALT Batteries	Made in USA With DEWALT Batteries

2024 LIST PRICE



CONTRACTOR
POWERSHOT™ STANDARD

€ 950
£ 820
\$ 1.025



CONTRACTOR
POWERSHOT™ *XT*

€ 1.115
£ 965
\$ 1.200

TARGET EVERY PROFESSIONAL PAINTER



*TARGET NEW CUSTOMERS
WITH MORE CAPABILITY*



*RECYCLE CUSTOMERS USING
AIRLESS GUNS TODAY*



**NEW RESIDENTIAL
& REPAINTING
CONTRACTORS**



**MAINTENANCE &
REMODELING
CONTRACTORS**



**FINISHING &
REFINISHING
CONTRACTORS**



**COMMERCIAL
CONTRACTORS**



**MULTIFAMILY
CONTRACTORS**

**SPRAY MORE JOBS.
COMPLETE MORE JOBS.**



Xtreme TORQUE™